

## Three-Phase-Asynchronous-Motor FCPA 90 L 6/PHE

IE3AC09L6002

### General data

Type of motor	3~
Type designation	FCPA
Frame size	90
Mounting	B34a
Frame execution	L
Frame material	Aluminium
Insulation class	F/B
Terminal box location	top DE
Terminal box orientation	cable gland to the right side
Weight (kg)	18,00
Rotation Direction	right /left
Vibration level	A
Balancing method	half key
cooling type	IC411
Executed acc. to noise level	IEC 60034-1 IEC 60034-9

### Electrical data

Power 1 50Hz (kW)	1,10
Power 1 60Hz (kW)	1,32
Frequency (Hz)	50/60
Voltage 50Hz (V)	230/400
Voltage 60Hz (V)	265/460
Voltage/Frequency tolerance (not valid for range voltage)	range B
Connection	$\Delta/Y$
Poles	6
Efficiency 100% 50Hz (%)	81,0
Efficiency 75% 50Hz (%)	81,0
Efficiency 50% 50Hz (%)	79,4
Efficiency 100% 60Hz (%)	88,5
Efficiency 75% 60Hz (%)	81,0
Efficiency 50% 60Hz (%)	79,4
Power factor	0,73
Starting current (Ia/In)	5,9
Starting torque (Ma/Mn)	2,1
Breakdown torque (Mk/Mn)	2,1
Current 50Hz (A)	4,67/2,69
Current 60Hz (A)	4,45/2,56
Eff.Cl.50Hz	IE3
Eff.Cl.60Hz	IE3

### Motor characteristics

Color	RAL7030
Paint surface	shiny
Protection class	IP55
Cable gland size (cable connection)	1xM25x1,5 1xblind plug
Cable gland type	Standard
Shaft end (mm)	24 x 50
Shaft material	C45
Specification NDE	Plastic fan
Flange size	140

### Mechanical data

Torque (Nm)	11,12/11,12
Rotation speed (1/min)	945/1134
Bearing DE	6205.ZZ.C3
Bearing NDE	6205.ZZ.C3
Mounting of bearing DE	loose bearing
Mounting of bearing NDE	loose bearing
Bearing lifetime (h)	20000
allow. Radial load (X/2) (N)	925
allow. Radial load (X0) (N)	1025
allow. Radial load (Xmax) (N)	825
allow. Axial load B3,B5,B35,B14,B34 (N)	825
allow. Axial load V1,V3,V19,V18 (N)	785
Moment of inertia (kgm <sup>2</sup> )	0,0047

### Influencing factors

Duty	S1
Ambient temperature (°C)	-20 up to +40
Height of location (m)	1000

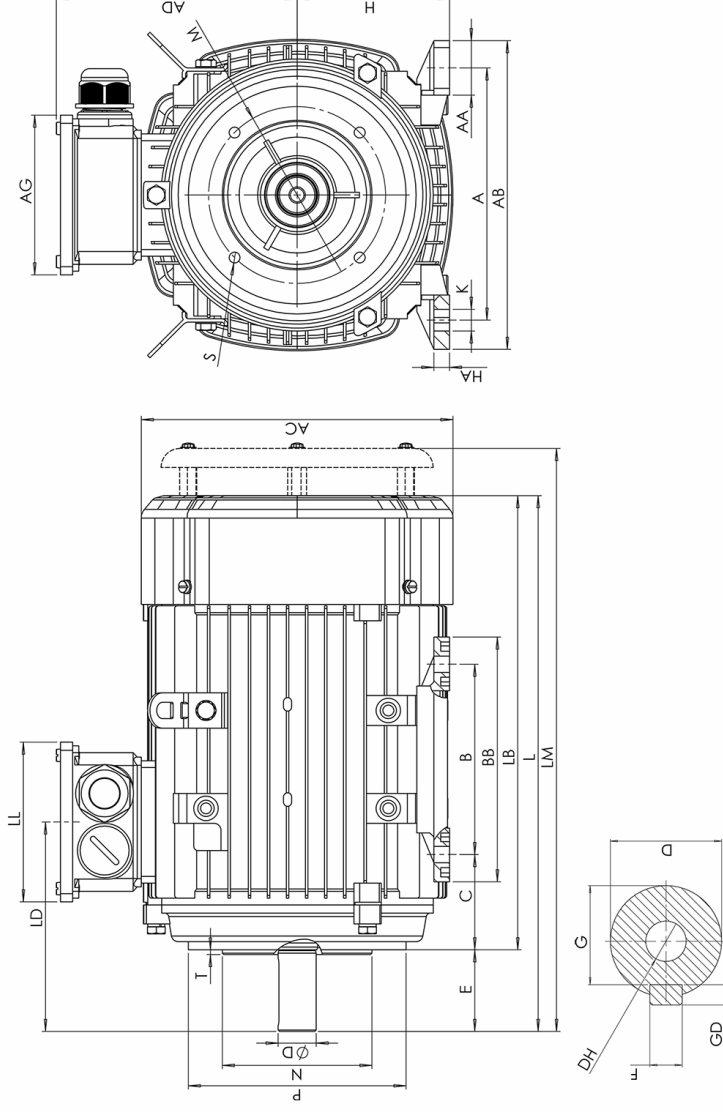
Technical changes and errors reserved.

22.07.2021

## Drawings

### Three-Phase-Asynchronous-Motor FCPA 90 L 6/PHE IE3AC09L6002

Die Zeichnung dient lediglich als Skizze um Maße darzustellen. Das gelieferte Produkt kann von dieser Skizze abweichen. Die detaillierte Beschreibung des Produkts befindet sich im Datenabschnitt (Seite 1).  
The drawing serves only as a sketch to show dimensions. The delivered product may differ from this sketch. The detailed description of the product can be found in the Data section (page 1).



IPE/KK	M25x1,5	DH	M8x19	K	10x14	ED	5,00	G	20,00	LL	109,00	LD	145,00	L	344,00	AG	109,00	GD	7	EB	40	F	8	HA	10	H	90	E	50	D	24	C	56	BB	150	B	125	AD	143	AC	175	AB	173	AA	37	A	140
S	M8	T	3,50	P	140	N	95	M	115	LB	294	LA	12	LM	374																																